

Accessories Programme



Cleaning · Care · Replacement

Everything to ensure your endoscope's long-term functional safety.

PENTAX

PENTAX Accessories Programme for cleaning and caring for your PENTAX endoscopes

Original is better

Finely tuned system components are essential for safe and successful endoscopy. That is why PENTAX original accessories aim to provide the highest possible quality in terms of every detail. The following pages describe our carefully compiled accessory programme to ensure safe and effective cleaning of your PENTAX endoscope.

- The illustration below is intended to help you to identify the relevant areas of your endoscope quickly and simply. Our PENTAX specialists will be pleased to advise you if you have any additional questions.
- All PENTAX original accessories in this catalogue have been tested in conjunction with PENTAX endoscopes for function and compatibility.



Orientation

In order to make your choice of PENTAX accessories as simple and reliable as possible, we have identified fundamental product features with simple-to-understand symbols displayed next to the relevant technical data.



Autoclavable



For single use only

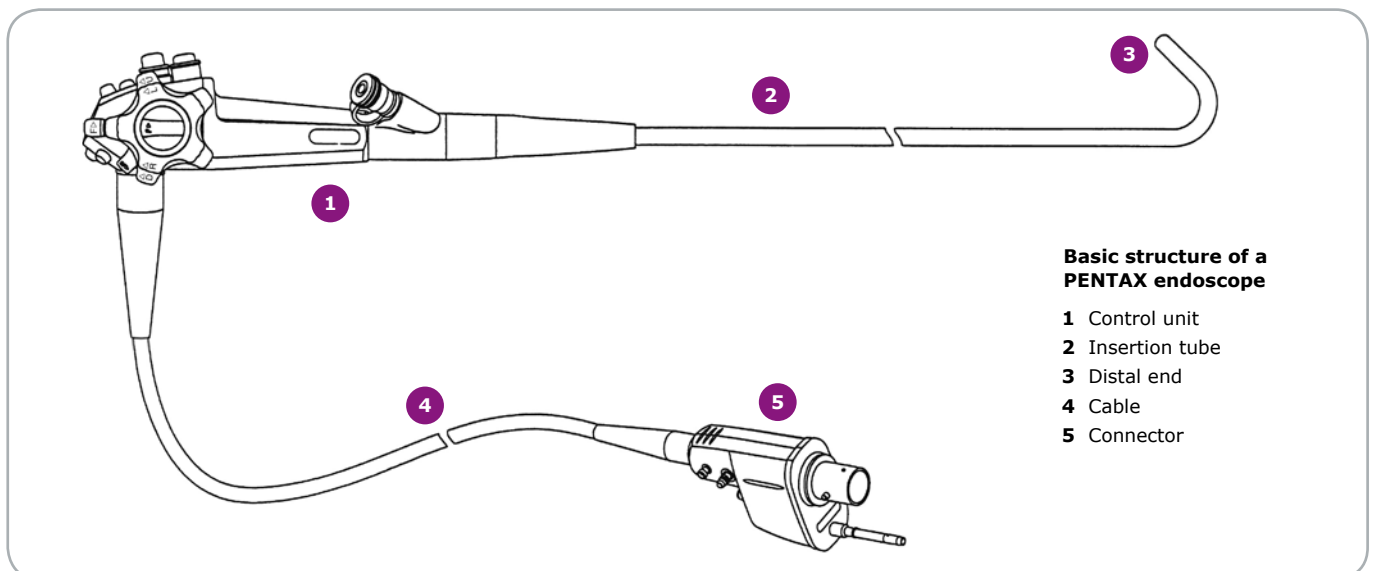


Sterile packed

Abbreviations:
A/W = Air/Water
WJ = Water Jet

How to choose the correct accessories:

Before you decide on new accessories, please ensure that your PENTAX endoscope is compatible with the desired accessory.





Cleaning brushes..... 4-5

Valves

- Suction valves 6-8
- Air/Water feeding valves 8-9
- Suction/irrigation valves 10

O-Rings..... 11

Removable distal end hoods

- Rubber 12
- Plastic 13

Cleaning caps..... 14-16

Cleaning adapter 17-20

Soaking caps 21-22

Leakage tester..... 22

Disinfection bath 22

Hand pump for cleaning and disinfection 23

Water bottle and accessories..... 23

Accessories

- For cleaning and disinfection 24
- For Water Jet..... 25

Others..... 26-27

Cleaning brushes

Cleaning brushes



Autoclavable

Code	Article	Description	Length (mm)	Outer Diameter (mm)
82287	CS-3025S	Cleaning brushes for A/W and WJ channel	2500	3.0
82479	CS-3030S	Cleaning brushes, extra long, for A/W and WJ channel	3000	3.0
82288	CS-3010S	Cleaning brushes for working channel with max. 1.2 mm diameter	1000	3.0
82292	CS-6002SN	Cleaning brushes for working channel, short	200	6.0
81454	CS-6015ST	Cleaning brushes for working channel	1500	6.0
82290	CS-6021SN	Cleaning brushes for working channel	2100	6.0
82289	CS-6030SN	Cleaning brushes for working channel, extra long	3000	6.0

Cleaning brushes for single use only



For single use only



Please note that these cleaning brushes should be used once only. If you require advice, please contact a PENTAX specialist.

Code	Article	Description	Length (mm)	Outer Diameter (mm)
86151	CS-3045	Single-use cleaning brushes for WJ channel, for 70(K), 80K, 81K, 10 pcs.	4500	3.0
86147	CS-6021T	Single-use cleaning brushes for working channel for 70(K), 80K, 81K, 85(K), 90K, 90i series, 10 pcs.	2100	6.0



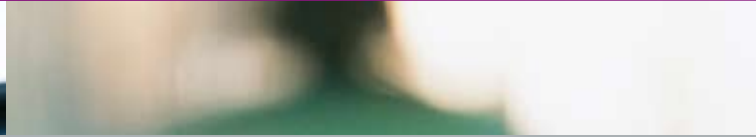
Cleaning brushes for cylinder



Autoclavable

Code	Article	Description
82704	CS-C2S	Cleaning brush for FNL, FUR
82293	CS-C3S	Cleaning brush for H, P, X, BS, 00, 01, 30 Series
82294	CS-C5S	Cleaning brush for V, W, 30(K), 40(K) Series
86152	CS-C8S	Cleaning brush for 70(K), 80K, 81K, 85(K) Series
87145	CS-C95 No 5	Cleaning brush for GI scopes 90K, 90i Series





Suction valves

Suction valves (rubber)



Code	Article	Description
83636	OF-B58	Suction valves for FNL, FUR-P, FCY-P endoscopes
83630	OF-B53	Suction valves for FI, FUR-BS, FB-BS, FCY-BS endoscopes
83635	OF-B57	Suction valves for FCY-P endoscopes

Suction valves (metal/plastic)



Code	Article	Description
83671	OF-B68	Suction valves for X, 00, 01 Series (red)



Autoclavable

Code	Article	Description
81724	OF-B120	Suction valves for GI endoscopes of V, W, 30(K), 40(K), Kp, 90K, 90i Series (red)

Suction valves (metal/plastic)



Autoclavable

Code	Article	Description
82688	OF-B140	Suction valves for FB-P, BS endoscopes (red)



Autoclavable

Code	Article	Description
82673	OF-B136	Suction valves for FB-V, X, EB-30, VNL-30 endoscopes (red)



Autoclavable

Code	Article	Description
86803	OF-B177	Suction valves for GI endoscopes of 70(K), 80K, 81K, 85(K) Series (yellow)

Suction valves (metal/plastic)



Autoclavable

Code	Article	Description
86805	OF-B179	Suction valves for VNL-70(K), EB-70(K) endoscopes (red)

Air/Water feeding valves

Air/Water feeding valves



Code	Article	Description
83174	OF-B77	A/W valves GI endoscopes for X, 00, 01, 30 Series (without automatic air supply) (green)



Air/Water feeding valves



Code	Article	Description
81338	OF-B96	Air/Water for P-Series GI Endoscopes (green)



Autoclavable

Code	Article	Description
81725	OF-B121	Air/Water valves GI Endoscopes for V, W, 30(K), 40(K), Kp Series (blue)



Autoclavable

Code	Article	Description
87999	OF-B183	Air/Water valves GI Endoscopes for 70(K), 80(K), 81K, 85(K) Series (green)
87143	OF-B188	Air/Water valves GI Endoscopes for 90K, 90i Series (purple)



Irrigation control valves

Irrigation control valves (rubber)

Code	Article	Description
81564	OF-B105	Irrigation control valves for FUR-P, -BS, FCY-P, -BS, FHY-BS endoscopes
83643	OF-B63	Irrigation (activation) valve for FUR-P endoscopes

Irrigation control valves (metal/plastic)



Autoclavable

Code	Article	Description
86218	OF-B151	Irrigation (deactivation) valve for FCP-P endoscopes
82672	OF-B137	Irrigation control valve for FCN-X, ECY-30, ECN-30, EHY-30 endoscopes
86217	OF-B152	Irrigation (activation) valve for FUR-P, -BS, FCY-P, -BS, FHY-BS endoscopes (blue)
85515	OF-B147	Irrigation control valve for FCN-X, ECY-30, ECN-30, EHY-30 endoscopes
86488	OF-B163	Irrigation (deactivation) valve for ECY-1570(K) endoscopes (blue)
85129	OF-B164	Irrigation (activation) valve for ECY-1570(K) endoscopes (blue/white)

Rubber inlet seal

Code	Article	Description
86665	OF-B190	Rubber biopsy inlet seal for all PENTAX endoscopes (Min. order quantity: 10 pcs.)

O-Rings

O-Rings



Code	Article	Description
83128	OF-B74	O-Ring-Set for suction valve OF-B68, 3pcs
83675	OF-B80	O-Ring-Set for suction valve OF-B76, 3pcs
81376	OF-B100	O-Ring-Set for suction valve OF-B95 and OF-B140, 3x2 pcs
81782	OF-B127	O-Ring-Set for suction valve OF-B120 and OF-B177, 3pcs
86807	OF-B181	O-Ring-Set for suction valve OF-B179, 3pcs
83549	OF-B35	O-Ring-Set for A/W valve OF-B33, 3pcs
81478	OF-B111	O-Ring-Set for A/W valve OF-B78, OF-B102 and OF-B121, 4 pcs
81767	OF-B128	O-Ring-Set for A/W valve OF-B123
82534	OF-B143	O-Ring-Set for A/W valve OF-B121, 6 pcs
86806	OF-B180	O-Ring-Set for A/W valve OF-B178
87949	OF-B184	O-Ring-Set for A/W valve OF-B183
87144	OF-B192	O-Ring-Set for A/W valve OF-B188
83676	OF-B81	O-Ring Set for Inflow valve OF-B79, 3 x 2 pcs
86816	OF-B182	O-Ring-Set for Of-B113 (3pcs)
87758	OE-C19	O-Ring Set for OE-C12 (5pcs)
83175	OF-G7	O-Ring Set for soaking cap OE-C1 and OE-C2

Removable distal end hoods

Removable distal end hoods (rubber)



Minimum order quantity: 20 pcs.

Code	Article	Description
81728	OF-A8	Removable distal end hood for EG-2940 and FG-29W
82749	OF-A57	Removable distal end hood for FG-24W
85557	OF-A58	Removable distal end hood for FD-34W
82210	OF-A59	Removable distal end hood for FC-38W
82933	OF-A60	Removable distal end hood for FS-34W
82932	OF-A65	Removable distal end hood for FG-34W
81729	OF-A9	Removable distal end hood for EC-3840 and ES-3840
81730	OE-A10	Removable distal end hood for EC-3840T and EG-3840T
81871	OE-A13	Removable distal end hood for EG-2540
81872	OE-A14	Removable distal end hood for EC-3440, EG-3440 and VSB-3440
82152	OE-A20	Removable distal end hood for ED-3440(T)
82535	OE-A21	Removable distal end hood for EC-3840K and ES-3840K
82776	OE-A23	Removable distal end hood for EG-2940K
82735	OE-A27	Removable distal end hood for EC-3440(K) and VSB-3440K
82440	OE-A28	Removable distal end hood for ED-3240(K) and ED-3280K
82790	OE-A32	Removable distal end hood for EG-3440K
82750	OE-A33	Removable distal end hood for ED-3440TK, ED-3480TK and ED-3485T
83650	OE-A25	Removable distal end hood for EC-3840TK, EC-3880TK, EC-3885TK, EG-3840TK, EG-3885TK
85958	OE-A36	Removable distal end hood for EC-3880K and ES-3880K
86189	OE-A39	Removable distal end hood for ED-3680TK
86425	OE-A41	Removable distal end hood for EG-2980K and EG-2985K
86767	OE-A42	Removable distal end hood for EC-3480K, EC-3485K, EG-3480K and EG-3485(K)
86927	OE-A45	Removable distal end hood for EG-2985
86928	OE-A46	Removable distal end hood for EC-3885
86690	OE-A48	Removable distal end hood for EC-3881K, EC-3885K, ES-3881K and ES-3885K



Removable distal end hoods (plastic)



Code	Article	Description
83682	OF-A26	Removable distal end hood for FC-38X, 3800, 3801 endoscopes
82437	OF-A61	Removable distal end hood for EC-3830Z
82699	OF-A64	Removable distal end hood for EC-3430FZ



Cleaning caps

Cleaning caps for suction channel



Code	Article	Description
81411	OF-B103	Cleaning cap for suction channel FI, FB, FNL, FCY, FHY, FCP, FUR, P and BS endoscopes



Code	Article	Description
83127	OF-B75	Cleaning cap for suction channel FB-X, EB-30, ECY-30 endoscopes



Code	Article	Description
86148	OF-B155	Cleaning cap for suction channel of EB-70(K), VNL-70(K), ECY-70(K) endoscopes

Cleaning caps for suction channel



Code	Article	Description
83639	OF-B65	Cleaning cap for suction channel of GI endoscopes X, 00, 01, 30 Series

Cleaning caps for Air/Water channel

Code	Article	Description
83638	OF-B64	Cleaning cap for A/W channel of GI endoscopes X, 00, 01, 30 Series

Cleaning caps for Air/Water/Suction channel



Code	Article	Description
81781	OF-B115	Cleaning cap for A/W/Suction channel of GI endoscopes V, W, 30(K), 40(K), Kp Series

Cleaning cap for 2-channel endoscopes



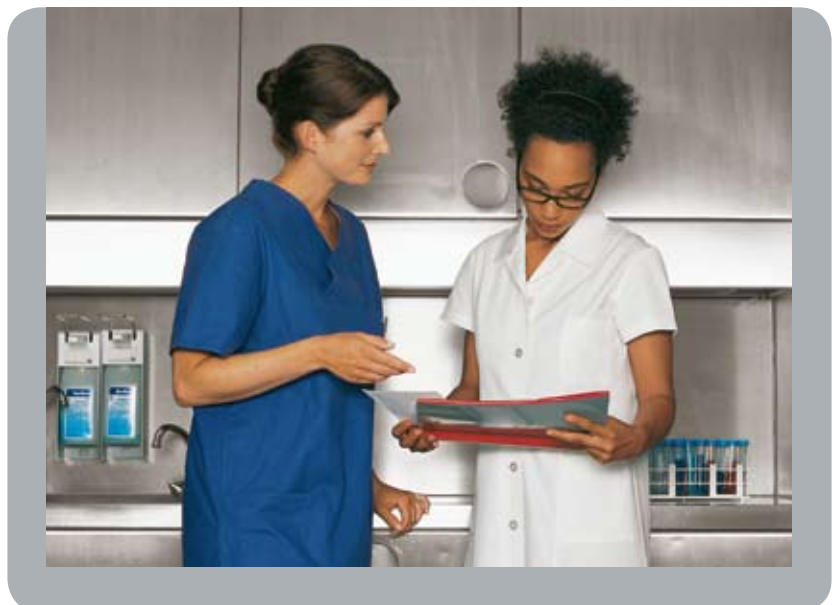
Code	Article	Description
82595	OF-B135	Cleaning cap for 2-channel endoscopes excluding 70K, 80K, 85K Series*



Autoclavable

Code	Article	Description
82003	OF-B162	Cleaning cap for 2-channel endoscopes for 70K, 80K, 85K Series*

* For locking the channel selector opening.





Cleaning adapter

Cleaning adapter



Autoclavable

Code	Article	Description
86463	OF-B166	Cleaning adapter 70(K), 80K, 81K, 85(K) Series
86153	OF-B153	Cleaning adapter for 90K, 90i Series

Cleaning adapter set



Code	Article	Description
83691	OF-BG2	Cleaning adapter set comprising of OF-G12, OF-B64



Cleaning brush adapter for Air/Water channel



Code	Article	Description
86154	OF-B159	Cleaning brush adapter for A/W channel 80K, 81K, 85(K) Series

Cleaning brush adapter



Code	Article	Description
81763	OF-B116	Cleaning brush adapter for A/W channel W, 40(K) Series
82150	OF-B133	Cleaning brush adapter for A/W channel EG-1840
86546	OF-B170	Cleaning brush adapter for A/W channel EG-1580K

Cleaning adapter



Code	Article	Description
82148	OE-C5	Cleaning adapter for A/W channel



Code	Article	Description
86150	OE-C8	Cleaning adapter suction nipple for 70(K), 80K, 81K, 85(K) Series



Code	Article	Description
83189	OF-G17	A/W cleaning adapter for V, W, 30(K), 40(K), 70(K), 80K, 81K, 85(K), Kp, 90K, 90i Series

Cleaning adapter



Code	Article	Description
83649	OF-G12	A/W cleaning adapter for H, X, 00, 01 Series



Autoclavable

Code	Article	Description
86642	OS-A60	Cleaning adapter for water bottle OS-H4 and adapter AL-OLG12, AL-OLG13

Soaking caps

Soaking caps



Code	Article	Description
86643	OE-C9	Soaking cap for 70K, 80K, 81K, 85(K), Kp, 90K, 90i Series, PVK-1000, 1070Z

Soaking caps



Code	Article	Description
81461	OE-C2	Soaking cap for 00, 01, 30, 40, 70 Series, PVA-1010, 1020, confocal connector of confocal endoscopes



Code	Article	Description
83665	OF-C3	Soaking cap for X Series

Code	Article	Description
81953	BS-B1	Soaking cap for BS Series

Code	Article	Description
82131	OE-C16	Soaking cap for Light conductor plug of confocal endoscope
82132	OE-A50	Soaking cap for Distal end of confocal endoscope

Code	Article	Description
81953	BS-B1	Soaking cap for BS Series



Leakage tester

Leakage tester



Code	Article	Description
83530	SHA-P2	Leakage tester

Disinfection bath

Disinfection bath for endoscopes



Code	Article	Description
300030	S+M	Disinfection bath system, 30 litre

Hand pump for cleaning and disinfection

Hand pump for cleaning and disinfection



Code	Description
400205	Hand pump for cleaning and disinfection of endoscopes

Water bottle and accessories

Water bottle and accessories



Code	Article	Description
84004	OS-H3	Water bottle for SA-P2 (2 pcs)
86365	OS-H4	Water bottle complete assembly for PENTAX-Lightsources and Processors, autoclavable
F022-S0002	PLA-BOTTLE OS-H4	Water bottle bin for OS-H4

Accessories

Accessories for cleaning and disinfection units



Code	Article	Description
300143	Adapter	PENTAX Bronchoscopes to Olympus ETD3
300144	Adapter	PENTAX GI Endoscopes to Olympus ETD3
300145	ETD Adapter	Adapter for leakage test for Olympus ETD 2, ETD 2 plus, ETD 3, mini ETD
300146	ETD2 Tube Set	Flexible tube set for PENTAX endoscopes in OLYMPUS ETD 2, mini ETD
400198	ETD-Basket	Disinfection bath for PENTAX endoscopes in OLYMPUS RDG-E

Accessories for Water Jet



Code	Article	Description
83126	OF-B72	Irrigation tube for WJ channel X, 00, 01 Series
81762	OF-B113	Irrigation tube for WJ channel 30(K), 40(K), 70K, 80K, 81K, 90K, 90i Series



Accessories for Water Jet



Code	Article	Description
81722	OF-B118	Water Jet connector cap



Code	Article	Description
81723	OF-B119	Water Jet check valve adapter



Code	Article	Description
86894	OE-C12	Forward Water Jet Check Valve Adapter
86917	OE-C15	Rubber Check Valve Set for OE-C12 (10 pcs) (black)



Others

Others

Code	Article	Description
83033	OF-Z11	Silicone oil
300411	OF-Z3N	Lens cleaner
87989	OE-Z4	Fluorescent Test Sample for Confocal System
83036	OF-Z5	Bite block, autoclavable



Others



Code	Article	Description
81726	OF-B122	Instrument channel selector excepted 70K, 80K, 85K Series
82002	OF-B161	Dual channel scopes – instrument channel selector except for 70K, 80K, 85K Series
86669	OE-B1	R/L angulation knob for 70(K), 80K, 81K, 85(K) Series



PENTAX Europe GmbH
LIFE CARE
Julius-Vosseler-Straße 104
22527 Hamburg
Germany
Tel.: +49 40 / 5 61 92 - 0
Fax: +49 40 / 5 60 42 13
E-mail: medical@pentax.de

PENTAX U.K. Limited
LIFE CARE
Pentax House
Heron Drive, Langley
Slough SL3 8PN
United Kingdom
Tel.: +44 17 53 / 79 27 23
Fax: +44 17 53 / 79 27 94
E-mail: lifecare.info@pentax.co.uk

PENTAX Italia S.r.l.
LIFE CARE
Via Dione Cassio, 15
20138 Milano
Italy
Tel.: +39 / 02 50 99 58 1
Fax: +39 / 02 50 99 58 60
E-mail: marketing.lifecare@pentaxitalia.it

PENTAX Nederland B.V.
LIFE CARE
Lage Mosten 35
4822 NK Breda
Netherlands
Tel.: +31 76 / 5 31 30 31
Fax: +31 76 / 5 31 30 00
E-mail: medical@pentax.nl

PENTAX France S.A.S.
LIFE CARE
112 quai de Bezons
P. B. 204
95106 Argenteuil
France
Tel.: +33 1 / 30 25 75 75
Fax: +33 1 / 30 25 75 76
E-mail: medical@pentax.fr

HOYA Corporation
PENTAX Tokyo Office
2-36-9, Maeno-cho
Itabashi-Ku
174-8639 Tokyo
Japan
Tel.: +81 33 / 9 60 51 55
Fax: +81 35 / 3 92 67 24

Your PENTAX sales representative:

Product availability cannot be guaranteed in all countries. For further information please contact your local sales representative.
Specifications are subject to change without prior notice and without any obligation on the part of the manufacturer.

www.pentaxeurope.com  HOYA Corporation · ISO 9001/EN ISO 13485 certified